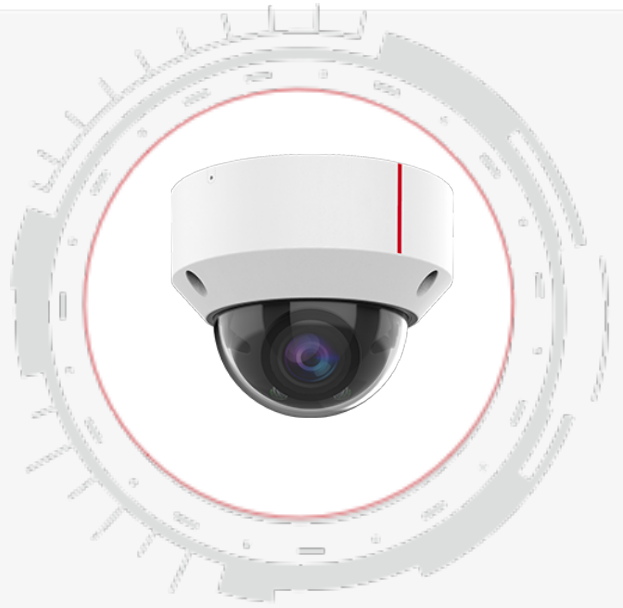


C3220-10-SIU

1T 2MP AI IR Fixed Dome Camera

Indoor Application



Features

- ▶ 1 TOPS computing power
- ▶ Supports heat map, multi-algorithm switchover, behavior analysis, crowd flow analysis, and face and body detection
- ▶ Supports backlight adaptation, overcast adaptation, and speed adaptation
- ▶ 1/2.7" CMOS sensor
- ▶ Online loading and upgrade of algorithms
- ▶ 120 dB super wide dynamic range (WDR), ensuring that both foreground and background objects are clearly identified in environments with sharp light contrast
- ▶ Supports switchover among multiple algorithms

Technical Specifications

Model C3220-10-SIU		
Major Specifications		
Main control	CPU	Hi3516D V300
	Computing power	1 TOPS
	Memory	DDR3 0.5 GB
	Flash type	SPI NAND Flash 512.0 MB
	Max capacity	MicroSD card slot that supports microSDHC/microSDXC; maximum memory card capacity: 256 GB
Camera	Digital zoom	Supported
	Image sensor	1/2.7" CMOS 2MP 1920(H)*1080(V)
	Focal length	2.8-12mm
	Max f-number	F1.6
	Lens aperture type	Fixed iris
	Angle of view	Horizontal: 36° (T) to 94° (W); vertical: 20° (T) to 50° (W)
	IR range	30m
Intelligence		
Face/Body	Face	Face detection, Facial attribute recognition
	Facial recognition	Supported
	Person	Person detection
Other intelligences	Behavior analysis	Fast movement, Tripwire crossing, Intrusion, Area entry or exit, Loitering
	Crowd flow analysis	Queue length, Head counting, Crowd flow statistics
	Audio anomaly	Sound detection, Sudden volume increase or decrease
	Heat map	Supported
	Multi-algorithm switchover	Supported
	Scene change	Supported
	Defocus	Supported
Open ecosystem		
Algorithm openness	SDC OS	Supported
	HoloSens Store	Dynamic loading of algorithms
Data openness	Data openness	SDK (proprietary protocol), REST API (proprietary protocol), GA/T 1400, GB/T 28181
Image		
Codec	Video encoding format	MJPEG/H.264/H.265
	Video encoding channels	Triple streams
	Video frame rate	Configurable (60 fps, 50 fps, 30 fps, or 25 fps)
	Intelligent encoding	Extra265/264


Image AI	Scene adaptation	Backlight adaptation/Overcast adaptation/Speed adaptation
Image ISP	Min illumination	Color: 0.002 lux (F1.6, AGC ON); B/W: 0.001 lux (F1.6, AGC ON) or 0 lux (infrared illuminator enabled)
	Day/Night mode	Auto (ICR), color, or B/W
	White balance	Auto/Manual/OnePush
	Digital noise reduction	2D/3D noise reduction
	WDR	120 dB
	Highlight compensation	Supported
	Image stabilization	Supported
	Defogging	Supported

Networking		
Network transmission	Protocols supported by IPv4	TCP, UDP, IPv4, IPv6, DHCP, DHCPv6, DNS, ICMP, ICMPv6, IGMP, HTTPS, FTP, SFTP, RTP, RTSP, RTCP, SIP, ARP, SSL, NTP, SNMP (V1/V2/V3), 802.1x, QoS, DDNS, SMTP, and PPPoE Note: 1. The DDNS uses the Oray (www.oray.com) scheme. 2. The northbound protocol needs to adapt to the PPPoE dialup scenario.
	Protocols supported by IPv6	HTTPS, RTP, RTCP, RTSP

Security		
Data security	Media security	Supports web- or SDK-based media stream encryption; supports a maximum of two channels of encrypted media streams; supports encrypted data storage on SD cards
Service security	User rights	Three user roles: administrator, advanced operator, and common operator
	Security mode	User name and password authentication, 802.1X authentication, and HTTPS digital certificate
	Secure boot	Supported
	System intrusion detection	Supported

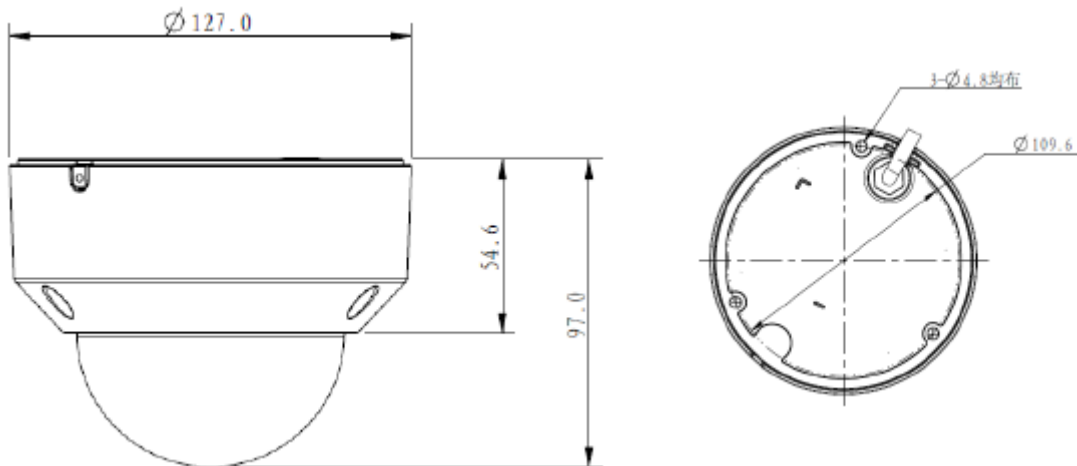
Port	
Storage port	MicroSD card slot that supports microSDHC/microSDXC; maximum memory card capacity: 256 GB
Communication serial port	RS-485 port
Alarm port	2 input ports and 1 output port
Network port	One RJ45 10M/100M adaptive Ethernet port
Audio port	Audio-in portSupported (one-channel LINE IN and one-channel built-in MIC);Audio-out portSupported (one-channel LINE OUT)

General Specifications	
Power type	12 V DC and PoE (IEEE 802.3af)
Power consumption	Maximum: 10 W; typical: 3.5 W
Operating temperature	-30°C to +60°C
Operating humidity	5% to 95% (non-condensing)
Surge protection	4 kV
IP rating	IP67

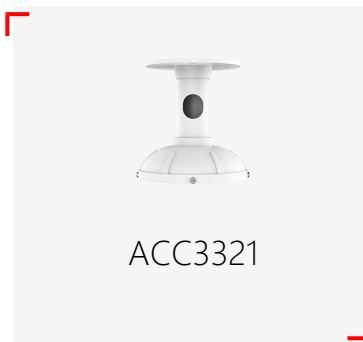


IK rating	IK10
Weight	Net weight 0.8 kg;Gross weight 1 kg
Dimensions	Device dimensions φ127 mm x 97 mm;Package dimensions 112 mm x 147 mm x 147 mm



Dimensions



Recommended Accessories



Trademarks and Permissions

 HUAWEI, HUAWEI,  and other Huawei trademarks are trademarks of Huawei Technologies Co., Ltd. All other trademarks and trade names mentioned in this document are the property of their respective holders.

Notice

The information in this document may contain predictive statements including, without limitation, statements regarding the future financial and operating results, future product portfolio, new technology, etc. The uncertain factors in practice may cause difference between the actual results and predicted information. Therefore, the information in this document is for reference only and does not constitute any offer or commitment. Huawei is not liable for any behavior that you make based on this document. Huawei may change the information at any time without notice.

Copyright © Huawei Technologies Co., Ltd. 2020. All rights reserved.

No part of this document may be reproduced or transmitted in any form or by any means without prior written consent of Huawei Technologies Co., Ltd.

Huawei Technologies Co., Ltd.

Huawei Industrial Base, Bantian,
Longgang, Shenzhen, China

Tel: (0755) 28780808

Zip code: 518129